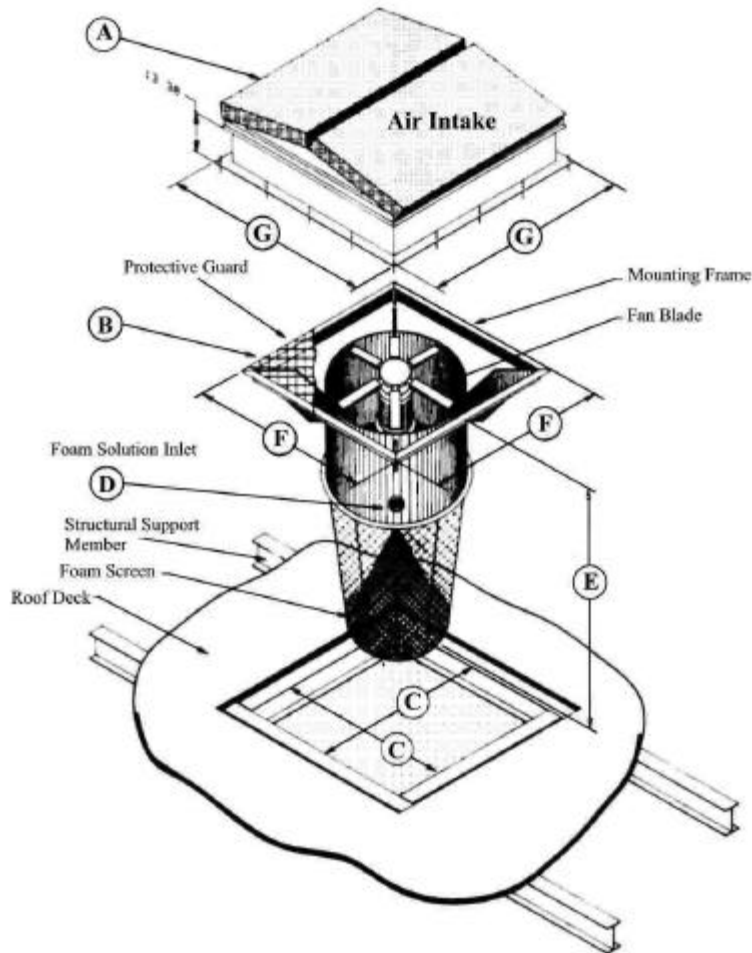


# Alison Control Inc.

## High Expansion Foam Generator Roof Installation

Ref	Description	30,000 cfm Gen.	15,000 cfm Gen.	7,000 cfm Gen.
A	Generator Air Intake Part No.	412021	412022	412022
B	Foam Generator Part No.	413004	413003	413002
C	Roof Opening	66.50"	48.00"	48.00"
D	Water Connection Size	4" N.P.T.	3" I.P.T.	2 1/2" I.P.T.
E	Generator Height	94.50"	69.50"	48.50"
F	Generator Mounting Frame Size	71.00"	58.00"	58.00"
G	Air Intake Mounting Frame Size	79.00"	55.00"	55.00"



Specifications	30,000 cfm Gen.	15,000 cfm Gen.	7,000 cfm Gen.
Generator Weight	1,090 Lbs.	745 Lbs.	425 Lbs.
Air Intake Weight	660 Lbs.	510 Lbs.	510 Lbs.
Electric Motor Size	5 HP 230/460 VAC	3 HP 230/460 VAC	1/2 HP 230/460 VAC
Water Flow	235 gpm @ 10 psig	122 gpm @ 10 psig	62 gpm @ 10 psig
Concentrate Flow	4 gpm	2 gpm	1 gpm
Nominal Foam Flow	32,300 cfm	15,000 cfm	7,140 cfm
Part No.	413004	413003	413002

35 Daniel Road  
 Fairfield, NJ 07004  
 973-575-7100  
 Fax: 973-575-7100  
[www.alisoncontrol.com](http://www.alisoncontrol.com)